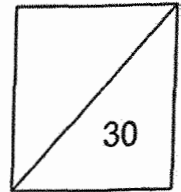




HENRY PARK PRIMARY SCHOOL  
2025 WEIGHTED ASSESSMENT 2  
MATHEMATICS  
PRIMARY 4



Name: \_\_\_\_\_ ( )

Class: P4 \_\_\_\_\_

Date: \_\_\_\_\_

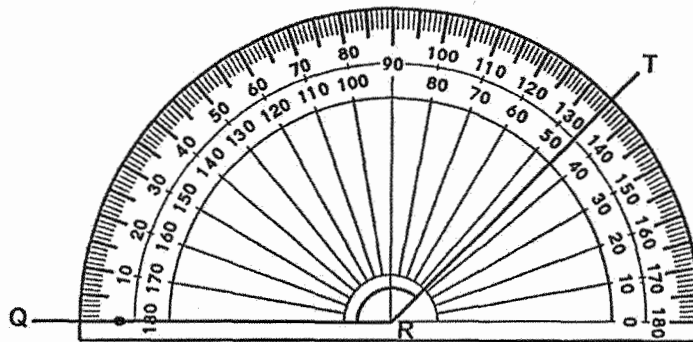
Duration: 40 minutes

Parent's Signature: \_\_\_\_\_

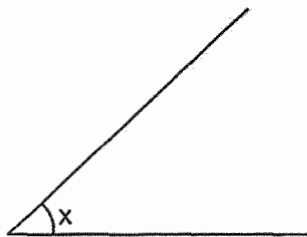
**SECTION A: Open-Ended Questions (16 marks)**

Questions 1 to 8 carry 2 marks each. Show your working clearly and write your answers in the spaces provided. For questions which require units, give your answers in the units stated.

1. (a) What is the size of  $\angle QRT$ ?

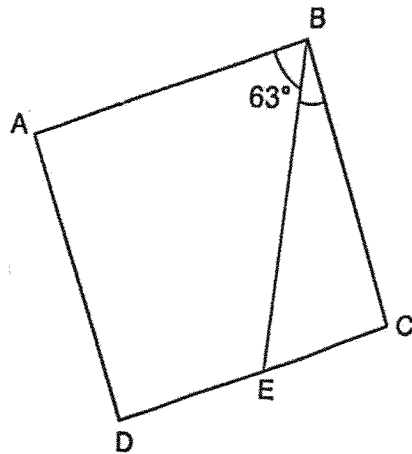


- (b) Measure  $\angle x$  with a protractor. Ans: (a) \_\_\_\_\_ °



Ans: (b) \_\_\_\_\_ °

2. ABCD is a square. Find  $\angle CBE$ .



Ans: \_\_\_\_\_<sup>o</sup>

---

3. (a) Round 168.205 to 2 decimal places.

Ans: (a) \_\_\_\_\_

- (b) Express  $\frac{3}{25}$  as a decimal.

Ans: (b) \_\_\_\_\_

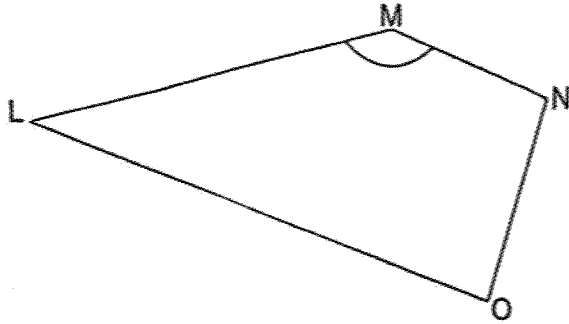
---

4. Find the value of  $3.9 + 15.72$ . Round your answer to the nearest tenth.

Ans: \_\_\_\_\_

---

5. (a) Name the marked angle.



Ans:  $\angle$  \_\_\_\_\_

- (b) Using a protractor and a ruler, draw  $\angle CDE = 42^\circ$ . Mark and label the angle. The line CD has been drawn for you.



- 
6. What is the product of 6 ones and 72 hundredths?

Ans: \_\_\_\_\_

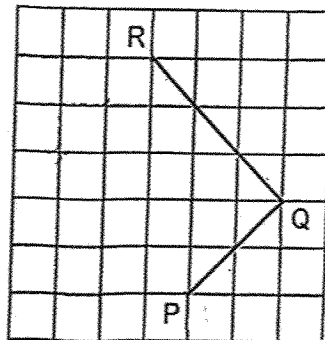
7. Arrange the following in increasing order.

$$4\frac{3}{4}, 4.90, 4\frac{7}{10}, 4.65$$

Ans: \_\_\_\_\_, \_\_\_\_\_, \_\_\_\_\_, \_\_\_\_\_

(smallest)

8. The square grid shows side PQ and QR of rectangle PQRS. Complete rectangle PQRS by drawing 2 more lines on the grid. Label the rectangle.



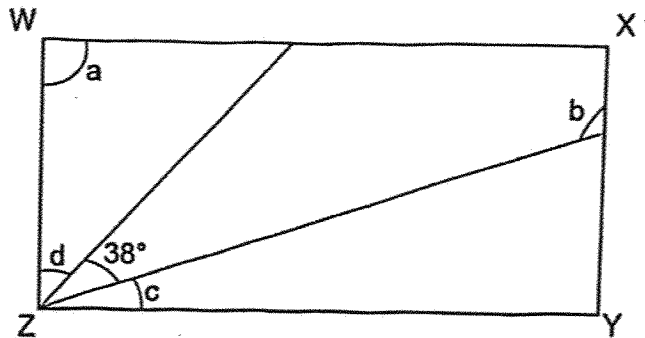
**SECTION B: Problem Sums (14 marks)**

For questions 9 to 12, show your working clearly and write your answers in the spaces provided. The number of marks available is shown in the brackets [ ] at the end of each question or part-question.

9. 5 identical bags of flour weigh 28.15 kg in total.  
How much do 8 identical bags of flour weigh?

Ans: \_\_\_\_\_ [3]

10. In the figure, WXYZ is a rectangle.



- (a) Each statement below is either true or false. For each statement, put a tick in the correct column. [1]

Statement	True	False
i) $\angle a$ is a right angle.		
ii) $\angle b$ is an acute angle.		

- (b) Given that  $\angle c = \angle d$ , find  $\angle c$ .

Ans: \_\_\_\_\_ [2]

11. A tailor used 42.1 m of fabric on Monday. He used 28.62 m more fabric on Monday than on Tuesday.

(a) How many metres of fabric did the tailor use on Tuesday?

Ans: (a) \_\_\_\_\_ [2]

(b) How many metres of fabric did he use altogether over the two days?

Ans: (b) \_\_\_\_\_ [2]

12. James had 3 times as much money as Sally at first. When Mrs Lee gave \$7.20 to James and \$22.50 to Sally, both James and Sally had the same amount of money.
- a) Find the amount of money Sally had at first.
  - b) Find the amount of money James had at first.

Ans: (a) \_\_\_\_\_ [3]

(b) \_\_\_\_\_ [1]

- End of Paper -

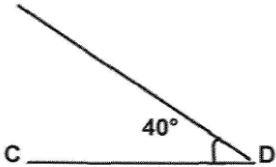
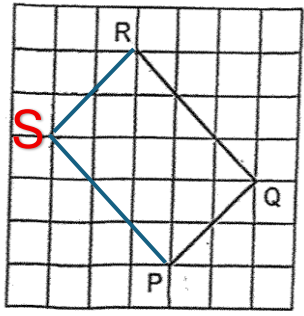
Page 8

**SCHOOL : HENRY PARK PRIMARY SCHOOL**

**LEVEL : PRIMARY 4**

**SUBJECT : MATHEMATICS**

**TERM : 2025 WEIGHTED ASSESSMENT 2**

Q1)	a) $135^\circ$ b) $43^\circ$
Q2)	$90^\circ - 63^\circ = 27^\circ$
Q3)	a) 168.21 b) 0.12
Q4)	$15.72 + 3.90 = 19.6$
Q5)	a) $\angle LMN$ b) 
Q6)	$0.72 \times 6 = 4.32$
Q7)	4.65, $4\frac{7}{10}$ , $4\frac{3}{4}$ , 4.9
Q8)	
Q9)	$28.15 \div 5 = 5.63$ $5.63 \times 8 = 45.04 \text{ kg}$
Q10	a) i) True ii) False

	$b) 90 - 38 = 52$ $52 \div 2 = 26^\circ$
Q11	$a) 42.10 - 28.62 = 13.48\text{m}$ $b) 42.10 + 13.48 = 55.58\text{m}$
Q12	$2u = 22.50 - 7.20 = 15.30$ $a) 1u = 15.30 \div 2 = \$7.65$ $b) 3u = 7.65 \times 3 = \$22.95$